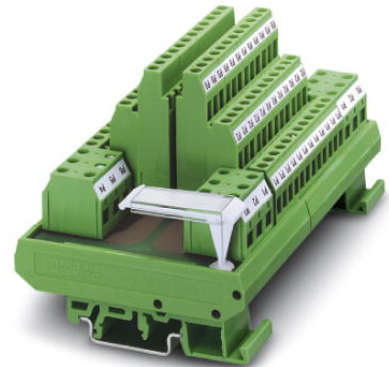


# UMK- PVB 6

Order No.: 2972136



<http://eshop.phoenixcontact.de/phoenix/treeViewClick.do?UID=2972136>

VARIOFACE module, with six equipotential busbars (P1, P2, P3, P4, P5, P6) for potential distribution, for mounting on NS 35/7.5 or NS 32



Commercial data	
EAN	4017918088613
Pack	1 Pcs.
Customs tariff	85369010
Weight/Piece	0.4122 KG
Catalog page information	Page 261 (IF-2007)

#### Product notes

WEEE/RoHS-compliant since:  
01/19/2007



<http://www.download.phoenixcontact.com>  
Please note that the data given here has been taken from the online catalog. For comprehensive information and data, please refer to the user documentation. The General Terms and Conditions of Use apply to Internet downloads.

Technical data	
<b>General data</b>	
Nominal voltage $U_N$	250 V AC/DC
Potential connections	Per potential (P1...P6) 2 power/12 distributor terminal blocks
Length	77 mm

Height	72 mm
Width	123.8 mm
Ambient temperature (operation)	-20 °C ... 50 °C
Ambient temperature (storage/transport)	-20 °C ... 70 °C
Mounting position	Any
Standards/regulations	IEC 60664
	DIN EN 50178
	IEC 62103

**Connection data, supply**

Conductor cross section solid min.	0.2 mm <sup>2</sup>
Conductor cross section solid max.	6 mm <sup>2</sup>
Conductor cross section stranded min.	0.2 mm <sup>2</sup>
Conductor cross section stranded max.	4 mm <sup>2</sup>
Conductor cross section AWG/kcmil min.	24
Conductor cross section AWG/kcmil max	10
Type of connection	Screw connection
Stripping length	8 mm
Screw thread	M 3

**Connection data, distribution**

Conductor cross section solid min.	0.2 mm <sup>2</sup>
Conductor cross section solid max.	4 mm <sup>2</sup>
Conductor cross section stranded min.	0.2 mm <sup>2</sup>
Conductor cross section stranded max.	2.5 mm <sup>2</sup>
Conductor cross section AWG/kcmil min.	24
Conductor cross section AWG/kcmil max	12
Type of connection	Screw connection
Stripping length	8 mm
Screw thread	M 3

**Certificates / Approvals**

## Approval logo

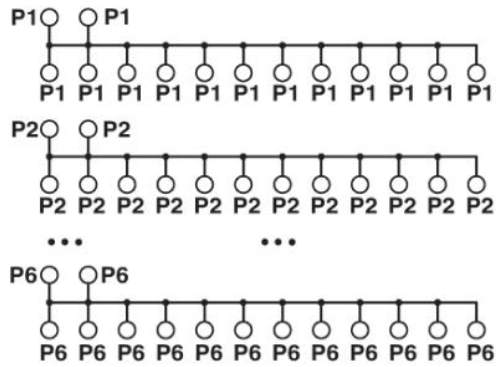


**requested approbations**

Certification	GOST
---------------	------

**Drawings**

Circuit diagram



**Address**

PHOENIX CONTACT Inc., USA  
586 Fulling Mill Road  
Middletown, PA 17057, USA  
Phone (800) 888-7388  
Fax (717) 944-1625  
<http://www.phoenixcon.com>



© 2008 Phoenix Contact  
Technical modifications reserved;